



Motion Control Engineering

Voice: 916 463 9200

Fax: 916 463 9201

[www.nidec-mce.com](http://www.nidec-mce.com)

## Destination Based Dispatching Engineering Survey

Page 1 of 18

Doc #: 42-FR-0465 B2 (JER147)

Logistics Data

In order to better serve you and meet your schedule, this form must be completed and signed. Timely delivery and trouble-free installation begin with these survey forms. Please complete this Destination Based Dispatching form in addition to the iControl form. Non-response to a question is interpreted as meaning that the item does not apply.

**Per state tax laws, it is critical that MCE receive exemption or resale certificates prior to the material being shipped and billed. If the job is tax-exempt, send the exemption certificate with this form. If you are a resale customer and have a resale certificate, please make sure that the MCE accounting department has a copy on file.**

### Site & Contact Information

Date:	Number of cars:
Job name and address: (26 characters maximum per line)	
_____	
_____	
<b>Owner Representative</b>	
Print Name:	Title:
Signature:	
Business phone:	Cell phone:
Email:	
Company name and address:	
_____	
_____	
Job Location (city* and state):	
Project Type: <input type="checkbox"/> New construction <input type="checkbox"/> Modernization	
<b>MCE to complete shaded area</b>	
Contract Date:	
Customer Job #:	PO#:
Controller/Job Reference #	

Form completed by: ( Check if same as contractor)

Name:
Business Phone:
Cell Phone:
Email:
Signature:

### Critical Dates / Information

DBD Fixture Delivery Date
DBD Transition Date
Language: <input type="checkbox"/> English <input type="checkbox"/> Other

### Shipping Information

Contact:	
Phone:	Fax:
Company name and address:	
_____	
_____	
Shipping Requirement:	
Advanced Notice:	<input type="checkbox"/> 24 hours <input type="checkbox"/> 48 hours
Truck w/ Lift Gate:	<input type="checkbox"/> Yes <input type="checkbox"/> No

\*For jobs located in NYC, see note below.

**Contractor Information** ( Check if same as above)

Contact:	
Phone:	Fax:
Email:	
Company name and address:	
_____	
_____	

### Please see our Destination Based Dispatching Catalog

We provide a brief description of our destination dispatching fixtures here to aid in making selections. For complete fixture descriptions, dimensions, and mounting information please ask for a copy of our catalog or download one from the MCE website at [www.nidec-mce.com](http://www.nidec-mce.com).

### Help us define your system

In order to properly design your system, we need to know how many, and which floors will use destination dispatching, the location of elevators and input devices on those floors, and which fixtures you want to use. This form is designed to collect that information.

#### New York City Jobs:

As of May 2023, the NYC Building Code Chapter 11 Accessibility Requirements states all DID's must have either a Step Scanner provision or numeric keypad input. MCE 7" (M73 page 13) and 10" (M14c page 9) Applied Mount with Step Scanner and CE (K1 and K2 page 16) with keypad are compliant with this requirement.

**Consultant Info:** ( Check if same as contractor)

Business Name:
Contact Name:
Business Phone:
Cell Phone:
Email:
Address:
_____



### Security Overview

Security interfaces on Destination Dispatch jobs are different from the standard dry contact interfaces most installers are used to. The card readers normally inside the COP are placed next to each DID touch screen in the hallway. A relay type interface would require too many wires. Instead, DD jobs use a network interface to pass the card reader information to the access control company.

### Security Type

- No Security Required
- Limited Discrete Security
  - Source Lockout Inputs – Single input into group per DID. If input is not active, then calls cannot be made from that DID. There is no way to control where the passenger goes, just if they can use the elevators. Every passenger will need an access card to use elevators (no guests or public floors from the secured source floors). This is normally needed for public floors such as unmanned lobby or parking floor in buildings that do not have standard security interfaces.
  - Destination Lockout Inputs – Single input per destination floor that when activated, will not allow any calls to that floor. Used for single tenant floor buildings when tenant wants to close down floors after they leave for the day. This option is simply a connection point for a hardware panel with keyed lockouts per floor.
- Access Control Network Interface (Standard Card Reader Security)

MCE supports the following access control systems for office buildings. Selecting an access control manufacturer that is not in this list may mean extra costs to develop an interface from MCE **and** the Access Control Company. Please consult with your salesperson if your security company is not listed.

#### Direct Integration

- |   |   |   |  |                                 |
|---|---|---|--|---------------------------------|
| <input type="checkbox"/> Amag Symmetry  | <input type="checkbox"/> BluB0x                             | <input type="checkbox"/> BraXos Steward | <input type="checkbox"/> Computrols CBAS | <input type="checkbox"/> CSI    |
| <input type="checkbox"/> DataWatch      | <input type="checkbox"/> Fortek                             | <input type="checkbox"/> Genetec        | <input type="checkbox"/> ICT             | <input type="checkbox"/> IMRON  |
| <input type="checkbox"/> Kastle         | <input type="checkbox"/> Lenel OnGuard (v6.6, 7.1-7.5, 8.0) | <input type="checkbox"/> Lift Net       | <input type="checkbox"/> RBH             | <input type="checkbox"/> Servas |
| <input type="checkbox"/> SWH CCURE v2.7 |   |   |  |                                 |

Integration through BraXos Steward Platform (BraXos must be contracted through building or security company):

- Honeywell ProWatch
- S2 Security NetBox
- Siemens SiPass
- Hotel system such as Assa Abloy (Ving) or Kaba (SafLok)

**Note:** For additional information regarding Security Interface Requirements, refer to Sales Reference document P/N 42-SR-0016.

### Card Reader Type

MCE can save hours of wiring by integrating the cardswipe into our data communications. This is only available with the HID 5127MINI reader and for the access control companies that support it.

- MCE provided and premounted card readers:
  - \* HID 5127 MINI (BluB0x & BraXos Only)
  - HID 6005 (Connects via Wiegand to Access company equipment)
  - HID R10/RP10 (Connects via Wiegand to Access company equipment)
  - HID SIGNO 20 (Connects via Wiegand to Access company equipment)
  - ICT PRX-TSEC-MINI-DF-B (Connects via Wiegand to Access company equipment)
  - ICT PRX-TSEC-MINI-BT-B (Bluetooth, connects via Wiegand to Access company equipment)
- Separate customer provided and mounted card readers:
  - Card reader mounted NEXT to DID

**Note:** MCE can only mount readers provided by MCE.

\*HID 5127 Card Reader requires 60mm rear clearance. Do not use with retrofit 7 inch or 10 inch DIDs (M11b or M71a), or with pedestals (M16 or M17).

**Motion Control Engineering**

Voice: 916 463 9200

Fax: 916 463 9201

[www.nidec-mce.com](http://www.nidec-mce.com)

Doc #: 42-FR-0465 B2 (JER147)

**Destination Based Dispatching  
Engineering Survey****Floors in your Building****Page 3 of 18****Turnstiles**

- MCE provides an LCD screen and speaker that can be mounted at a turnstile to allow automatic call assignment while passing through the gate. Please make sure to select an Access Control Company on previous page.
- Global Turnstile: Select if turnstile will access multiple elevator banks. (Only available for BluBox, BraXos, and Kastle.)

**Custom Graphics**

- MCE offers the ability for the building to provide a custom background image on the DID Kiosk. Image requirements:

10": 1024 x 768 pixels

7": 480 x 800 pixels

**Note:** For additional information regarding DID Screen Graphics, refer to Sales Reference document P/N 42-SR-0019.

**Note:** Any Additional features (switches, indicators, engravings, etc.) must be external to the DID Kiosk and are **not** provided by MCE.

**Floors in your Building – Planning Form**

This form provides space to enter data for 8 cars, 54 floors, and 5 floor plans. If additional space is needed, please make copies of the form.

Following are instructions for filling out the form. Also refer to the "Example Form," "Example Floor Plans" and supporting Tables on the following page.

1. Under "Cars and Openings," enter the "Labels" for the cars in this group, e.g., 1, 2, 3 or A, B, C, etc.
2. Under "Voice Annunciator Message," indicate the voice announcement to be used for each floor, e.g., 1<sup>st</sup> floor, floor 1, lobby floor, etc.
3. Under "Floor Label," indicate the floor label to be displayed on in-car fixtures (3 characters maximum).
4. Under "Cars and Openings," place an X in the boxes to indicate the openings for each car for each floor they serve.
5. Under "DID Fixtures Type," indicate the type of fixtures to be used (specified by the letter/number next to the fixtures listed below), and the quantity of fixtures to be used at each floor.
6. Under "Other Fixtures Type," indicate the type of fixtures to be used (specified by the letter/number next to the fixtures listed below), and the quantity of fixtures to be used at each floor.
7. Under "Floor Plan," indicate the number of the floor plan that illustrates the orientation of the cars, turnstiles (if applicable) and all destination fixtures on each floor.
  - Use the "Floor Plan" templates on page 6 to create the diagrams of the cars and location of the fixtures used by this group.



Motion Control Engineering

Voice: 916 463 9200

Fax: 916 463 9201

[www.nidec-mce.com](http://www.nidec-mce.com)

## Destination Based Dispatching Engineering Survey

Page 4 of 18

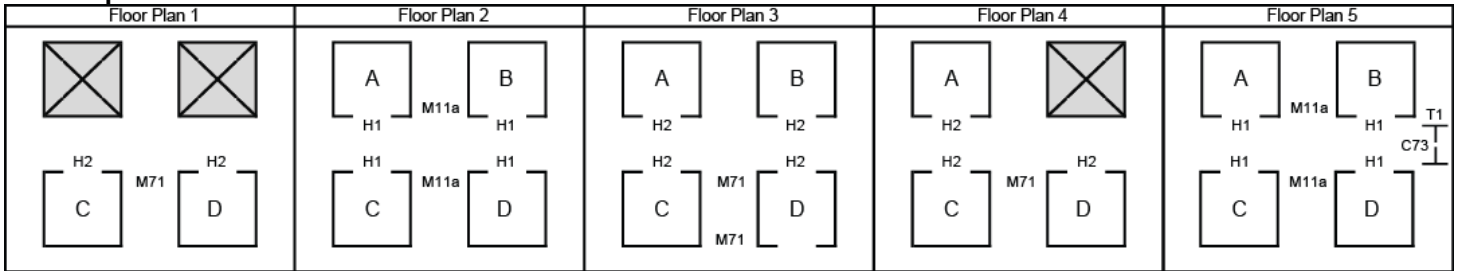
Doc #: 42-FR-0465 B2 (JER147)

Floors in your Building

### Example Form:

Floor Data			Cars and Openings												DID Fixtures Type			Other Fixtures Type			Floor Plan			
Lndg #	Voice Annunciator Message	Floor Label	A		B		C		D										M11a Qty	M71 Qty		C73 Qty	H1 Qty	H2 Qty
			F	R	F	R	F	R	F	R	F	R	F	R	F	R	F	R						
5	3 <sup>rd</sup> Floor	3	<input checked="" type="checkbox"/>	<input type="checkbox"/>	<input type="checkbox"/>	<input type="checkbox"/>	<input checked="" type="checkbox"/>	<input type="checkbox"/>	<input checked="" type="checkbox"/>	<input type="checkbox"/>	<input type="checkbox"/>	<input type="checkbox"/>	<input type="checkbox"/>	<input type="checkbox"/>	<input type="checkbox"/>	<input type="checkbox"/>	<input type="checkbox"/>	<input type="checkbox"/>		1		0	3	
4	2 <sup>nd</sup> Floor	2	<input checked="" type="checkbox"/>	<input type="checkbox"/>	<input checked="" type="checkbox"/>	<input type="checkbox"/>	<input checked="" type="checkbox"/>	<input type="checkbox"/>	<input checked="" type="checkbox"/>	<input checked="" type="checkbox"/>	<input type="checkbox"/>	<input type="checkbox"/>	<input type="checkbox"/>	<input type="checkbox"/>	<input type="checkbox"/>	<input type="checkbox"/>	<input type="checkbox"/>	<input type="checkbox"/>		2		0	5	
3	Lobby	L	<input checked="" type="checkbox"/>	<input type="checkbox"/>	<input checked="" type="checkbox"/>	<input type="checkbox"/>	<input checked="" type="checkbox"/>	<input type="checkbox"/>	<input checked="" type="checkbox"/>	<input type="checkbox"/>	<input type="checkbox"/>	<input type="checkbox"/>	<input type="checkbox"/>	<input type="checkbox"/>	<input type="checkbox"/>	<input type="checkbox"/>	<input type="checkbox"/>	<input type="checkbox"/>			1	4	0	
2	Parking Garage 2	P2	<input checked="" type="checkbox"/>	<input type="checkbox"/>	<input checked="" type="checkbox"/>	<input type="checkbox"/>	<input checked="" type="checkbox"/>	<input type="checkbox"/>	<input checked="" type="checkbox"/>	<input type="checkbox"/>	<input type="checkbox"/>	<input type="checkbox"/>	<input type="checkbox"/>	<input type="checkbox"/>	<input type="checkbox"/>	<input type="checkbox"/>	<input type="checkbox"/>	<input type="checkbox"/>		2		4		
1	Parking Garage 1	P1	<input type="checkbox"/>	<input type="checkbox"/>	<input type="checkbox"/>	<input type="checkbox"/>	<input checked="" type="checkbox"/>	<input type="checkbox"/>	<input checked="" type="checkbox"/>	<input type="checkbox"/>	<input type="checkbox"/>	<input type="checkbox"/>	<input type="checkbox"/>	<input type="checkbox"/>	<input type="checkbox"/>	<input type="checkbox"/>	<input type="checkbox"/>	<input type="checkbox"/>		1		0	2	

### Example Floor Plans:



**Destination Input Fixtures:** DID fixtures include the following (Specify "Type" by the numbers in these lists):

MCE Touch Screen		CE Touch Screen		CE Keypad
<b>M11a</b> 10" Surface Mt RF no CR	<b>*M17</b> 10" Pedestal Standalone	<b>C11</b> 10" Surface Mt	<b>C71</b> 7" Surface Mt	<b>K1</b> Surface Mt Flat
<b>*M11b</b> 10" Surface Mt RF + CR	<b>*M71a</b> 7" Surface Mt RF	<b>C12</b> 10" Applied Mt	<b>C72</b> 7" Applied Mt	<b>K2</b> Surface Mt Angled
<b>M11c</b> 10" Surface Mt QR Scanner	<b>M71b</b> 7" Surface Mt NC	<b>C13</b> 10" Frameless	<b>C73</b> 7" Frameless	
<b>M12a</b> 10" Surface Mt NC no CR	<b>M71c</b> 7" Surface Mt QR Scanner			
<b>M12b</b> 10" Surface Mt NC + CR	<b>M72a</b> 7" Applied Mt			
<b>M13</b> 10" Vertical Mt	<b>M72b</b> 7" Applied Mt QR Scanner			
<b>M14a</b> 10" Applied Mt	<b>M72c</b> 7" Applied Mt Step Scanner			
<b>M14b</b> 10" Applied Mt QR Scanner	<b>M73</b> 7" Frameless			
<b>M14C</b> 10" Applied Mt Step Scanner				
<b>M15</b> 10" Frameless no CR				
<b>*M16</b> 10" Pedestal Against Wall				

NOTE: Mt = Mount; RF = Retrofit; NC = New Construction; CR = Card Reader

Fixture Mount Fixtures **M11**, **M12**, **M16**, **M17**, and **M71** meet California's requirement of white text on black background on the ADA button.

\*Do not use 5127 Card Reader with these configurations

### Other Hall Fixtures: Destination / Annunciators

<b>H1</b> LCD Destination/ Car Annunciator Messaging / Arrival PI	<b>H2</b> mBox/mLBox Annunciator w/Floor Gong	<b>H4</b> Non-Serial Hall Fixture (DUPAR) (Contractor Supplied)
	<b>H3</b> mFlag w/ Floor Gong	

### Door Jamb Fixtures

<b>D1</b> 4.3" LCD (no speaker)	<b>D5</b> 10 Line Segmented 1/2" Display
<b>D2</b> 4.3" LCD (with speaker)	<b>D6</b> 10 Line Segmented 1" Display

### Turnstile Fixtures

<b>T1</b> 7" LCD	
<b>T2</b> 4.3" LCD	



Motion Control Engineering

Voice: 916 463 9200

Fax: 916 463 9201

[www.nidec-mce.com](http://www.nidec-mce.com)

## Destination Based Dispatching Engineering Survey

Page 5 of 18

Doc #: 42-FR-0465 B2 (JER147)

Floor Data			Cars and Openings												DID Fixtures Type			Other Fixtures Type			Floor Plan	
Lndg #	Voice Annunciator Message	Floor Label	F	R	F	R	F	R	F	R	F	R	F	R	F	R	Qty	Qty	Qty	Qty		Qty
54			<input type="checkbox"/>	<input type="checkbox"/>	<input type="checkbox"/>	<input type="checkbox"/>	<input type="checkbox"/>	<input type="checkbox"/>	<input type="checkbox"/>	<input type="checkbox"/>	<input type="checkbox"/>	<input type="checkbox"/>	<input type="checkbox"/>	<input type="checkbox"/>	<input type="checkbox"/>	<input type="checkbox"/>						
53			<input type="checkbox"/>	<input type="checkbox"/>	<input type="checkbox"/>	<input type="checkbox"/>	<input type="checkbox"/>	<input type="checkbox"/>	<input type="checkbox"/>	<input type="checkbox"/>	<input type="checkbox"/>	<input type="checkbox"/>	<input type="checkbox"/>	<input type="checkbox"/>	<input type="checkbox"/>	<input type="checkbox"/>						
52			<input type="checkbox"/>	<input type="checkbox"/>	<input type="checkbox"/>	<input type="checkbox"/>	<input type="checkbox"/>	<input type="checkbox"/>	<input type="checkbox"/>	<input type="checkbox"/>	<input type="checkbox"/>	<input type="checkbox"/>	<input type="checkbox"/>	<input type="checkbox"/>	<input type="checkbox"/>	<input type="checkbox"/>						
51			<input type="checkbox"/>	<input type="checkbox"/>	<input type="checkbox"/>	<input type="checkbox"/>	<input type="checkbox"/>	<input type="checkbox"/>	<input type="checkbox"/>	<input type="checkbox"/>	<input type="checkbox"/>	<input type="checkbox"/>	<input type="checkbox"/>	<input type="checkbox"/>	<input type="checkbox"/>	<input type="checkbox"/>						
50			<input type="checkbox"/>	<input type="checkbox"/>	<input type="checkbox"/>	<input type="checkbox"/>	<input type="checkbox"/>	<input type="checkbox"/>	<input type="checkbox"/>	<input type="checkbox"/>	<input type="checkbox"/>	<input type="checkbox"/>	<input type="checkbox"/>	<input type="checkbox"/>	<input type="checkbox"/>	<input type="checkbox"/>						
49			<input type="checkbox"/>	<input type="checkbox"/>	<input type="checkbox"/>	<input type="checkbox"/>	<input type="checkbox"/>	<input type="checkbox"/>	<input type="checkbox"/>	<input type="checkbox"/>	<input type="checkbox"/>	<input type="checkbox"/>	<input type="checkbox"/>	<input type="checkbox"/>	<input type="checkbox"/>	<input type="checkbox"/>						
48			<input type="checkbox"/>	<input type="checkbox"/>	<input type="checkbox"/>	<input type="checkbox"/>	<input type="checkbox"/>	<input type="checkbox"/>	<input type="checkbox"/>	<input type="checkbox"/>	<input type="checkbox"/>	<input type="checkbox"/>	<input type="checkbox"/>	<input type="checkbox"/>	<input type="checkbox"/>	<input type="checkbox"/>						
47			<input type="checkbox"/>	<input type="checkbox"/>	<input type="checkbox"/>	<input type="checkbox"/>	<input type="checkbox"/>	<input type="checkbox"/>	<input type="checkbox"/>	<input type="checkbox"/>	<input type="checkbox"/>	<input type="checkbox"/>	<input type="checkbox"/>	<input type="checkbox"/>	<input type="checkbox"/>	<input type="checkbox"/>						
46			<input type="checkbox"/>	<input type="checkbox"/>	<input type="checkbox"/>	<input type="checkbox"/>	<input type="checkbox"/>	<input type="checkbox"/>	<input type="checkbox"/>	<input type="checkbox"/>	<input type="checkbox"/>	<input type="checkbox"/>	<input type="checkbox"/>	<input type="checkbox"/>	<input type="checkbox"/>	<input type="checkbox"/>						
45			<input type="checkbox"/>	<input type="checkbox"/>	<input type="checkbox"/>	<input type="checkbox"/>	<input type="checkbox"/>	<input type="checkbox"/>	<input type="checkbox"/>	<input type="checkbox"/>	<input type="checkbox"/>	<input type="checkbox"/>	<input type="checkbox"/>	<input type="checkbox"/>	<input type="checkbox"/>	<input type="checkbox"/>						
44			<input type="checkbox"/>	<input type="checkbox"/>	<input type="checkbox"/>	<input type="checkbox"/>	<input type="checkbox"/>	<input type="checkbox"/>	<input type="checkbox"/>	<input type="checkbox"/>	<input type="checkbox"/>	<input type="checkbox"/>	<input type="checkbox"/>	<input type="checkbox"/>	<input type="checkbox"/>	<input type="checkbox"/>						
43			<input type="checkbox"/>	<input type="checkbox"/>	<input type="checkbox"/>	<input type="checkbox"/>	<input type="checkbox"/>	<input type="checkbox"/>	<input type="checkbox"/>	<input type="checkbox"/>	<input type="checkbox"/>	<input type="checkbox"/>	<input type="checkbox"/>	<input type="checkbox"/>	<input type="checkbox"/>	<input type="checkbox"/>						
42			<input type="checkbox"/>	<input type="checkbox"/>	<input type="checkbox"/>	<input type="checkbox"/>	<input type="checkbox"/>	<input type="checkbox"/>	<input type="checkbox"/>	<input type="checkbox"/>	<input type="checkbox"/>	<input type="checkbox"/>	<input type="checkbox"/>	<input type="checkbox"/>	<input type="checkbox"/>	<input type="checkbox"/>						
41			<input type="checkbox"/>	<input type="checkbox"/>	<input type="checkbox"/>	<input type="checkbox"/>	<input type="checkbox"/>	<input type="checkbox"/>	<input type="checkbox"/>	<input type="checkbox"/>	<input type="checkbox"/>	<input type="checkbox"/>	<input type="checkbox"/>	<input type="checkbox"/>	<input type="checkbox"/>	<input type="checkbox"/>						
40			<input type="checkbox"/>	<input type="checkbox"/>	<input type="checkbox"/>	<input type="checkbox"/>	<input type="checkbox"/>	<input type="checkbox"/>	<input type="checkbox"/>	<input type="checkbox"/>	<input type="checkbox"/>	<input type="checkbox"/>	<input type="checkbox"/>	<input type="checkbox"/>	<input type="checkbox"/>	<input type="checkbox"/>						
39			<input type="checkbox"/>	<input type="checkbox"/>	<input type="checkbox"/>	<input type="checkbox"/>	<input type="checkbox"/>	<input type="checkbox"/>	<input type="checkbox"/>	<input type="checkbox"/>	<input type="checkbox"/>	<input type="checkbox"/>	<input type="checkbox"/>	<input type="checkbox"/>	<input type="checkbox"/>	<input type="checkbox"/>						
38			<input type="checkbox"/>	<input type="checkbox"/>	<input type="checkbox"/>	<input type="checkbox"/>	<input type="checkbox"/>	<input type="checkbox"/>	<input type="checkbox"/>	<input type="checkbox"/>	<input type="checkbox"/>	<input type="checkbox"/>	<input type="checkbox"/>	<input type="checkbox"/>	<input type="checkbox"/>	<input type="checkbox"/>						
37			<input type="checkbox"/>	<input type="checkbox"/>	<input type="checkbox"/>	<input type="checkbox"/>	<input type="checkbox"/>	<input type="checkbox"/>	<input type="checkbox"/>	<input type="checkbox"/>	<input type="checkbox"/>	<input type="checkbox"/>	<input type="checkbox"/>	<input type="checkbox"/>	<input type="checkbox"/>	<input type="checkbox"/>						
36			<input type="checkbox"/>	<input type="checkbox"/>	<input type="checkbox"/>	<input type="checkbox"/>	<input type="checkbox"/>	<input type="checkbox"/>	<input type="checkbox"/>	<input type="checkbox"/>	<input type="checkbox"/>	<input type="checkbox"/>	<input type="checkbox"/>	<input type="checkbox"/>	<input type="checkbox"/>	<input type="checkbox"/>						
35			<input type="checkbox"/>	<input type="checkbox"/>	<input type="checkbox"/>	<input type="checkbox"/>	<input type="checkbox"/>	<input type="checkbox"/>	<input type="checkbox"/>	<input type="checkbox"/>	<input type="checkbox"/>	<input type="checkbox"/>	<input type="checkbox"/>	<input type="checkbox"/>	<input type="checkbox"/>	<input type="checkbox"/>						
34			<input type="checkbox"/>	<input type="checkbox"/>	<input type="checkbox"/>	<input type="checkbox"/>	<input type="checkbox"/>	<input type="checkbox"/>	<input type="checkbox"/>	<input type="checkbox"/>	<input type="checkbox"/>	<input type="checkbox"/>	<input type="checkbox"/>	<input type="checkbox"/>	<input type="checkbox"/>	<input type="checkbox"/>						
33			<input type="checkbox"/>	<input type="checkbox"/>	<input type="checkbox"/>	<input type="checkbox"/>	<input type="checkbox"/>	<input type="checkbox"/>	<input type="checkbox"/>	<input type="checkbox"/>	<input type="checkbox"/>	<input type="checkbox"/>	<input type="checkbox"/>	<input type="checkbox"/>	<input type="checkbox"/>	<input type="checkbox"/>						
32			<input type="checkbox"/>	<input type="checkbox"/>	<input type="checkbox"/>	<input type="checkbox"/>	<input type="checkbox"/>	<input type="checkbox"/>	<input type="checkbox"/>	<input type="checkbox"/>	<input type="checkbox"/>	<input type="checkbox"/>	<input type="checkbox"/>	<input type="checkbox"/>	<input type="checkbox"/>	<input type="checkbox"/>						
31			<input type="checkbox"/>	<input type="checkbox"/>	<input type="checkbox"/>	<input type="checkbox"/>	<input type="checkbox"/>	<input type="checkbox"/>	<input type="checkbox"/>	<input type="checkbox"/>	<input type="checkbox"/>	<input type="checkbox"/>	<input type="checkbox"/>	<input type="checkbox"/>	<input type="checkbox"/>	<input type="checkbox"/>						
30			<input type="checkbox"/>	<input type="checkbox"/>	<input type="checkbox"/>	<input type="checkbox"/>	<input type="checkbox"/>	<input type="checkbox"/>	<input type="checkbox"/>	<input type="checkbox"/>	<input type="checkbox"/>	<input type="checkbox"/>	<input type="checkbox"/>	<input type="checkbox"/>	<input type="checkbox"/>	<input type="checkbox"/>						
29			<input type="checkbox"/>	<input type="checkbox"/>	<input type="checkbox"/>	<input type="checkbox"/>	<input type="checkbox"/>	<input type="checkbox"/>	<input type="checkbox"/>	<input type="checkbox"/>	<input type="checkbox"/>	<input type="checkbox"/>	<input type="checkbox"/>	<input type="checkbox"/>	<input type="checkbox"/>	<input type="checkbox"/>						
28			<input type="checkbox"/>	<input type="checkbox"/>	<input type="checkbox"/>	<input type="checkbox"/>	<input type="checkbox"/>	<input type="checkbox"/>	<input type="checkbox"/>	<input type="checkbox"/>	<input type="checkbox"/>	<input type="checkbox"/>	<input type="checkbox"/>	<input type="checkbox"/>	<input type="checkbox"/>	<input type="checkbox"/>						
27			<input type="checkbox"/>	<input type="checkbox"/>	<input type="checkbox"/>	<input type="checkbox"/>	<input type="checkbox"/>	<input type="checkbox"/>	<input type="checkbox"/>	<input type="checkbox"/>	<input type="checkbox"/>	<input type="checkbox"/>	<input type="checkbox"/>	<input type="checkbox"/>	<input type="checkbox"/>	<input type="checkbox"/>						
26			<input type="checkbox"/>	<input type="checkbox"/>	<input type="checkbox"/>	<input type="checkbox"/>	<input type="checkbox"/>	<input type="checkbox"/>	<input type="checkbox"/>	<input type="checkbox"/>	<input type="checkbox"/>	<input type="checkbox"/>	<input type="checkbox"/>	<input type="checkbox"/>	<input type="checkbox"/>	<input type="checkbox"/>						
25			<input type="checkbox"/>	<input type="checkbox"/>	<input type="checkbox"/>	<input type="checkbox"/>	<input type="checkbox"/>	<input type="checkbox"/>	<input type="checkbox"/>	<input type="checkbox"/>	<input type="checkbox"/>	<input type="checkbox"/>	<input type="checkbox"/>	<input type="checkbox"/>	<input type="checkbox"/>	<input type="checkbox"/>						
24			<input type="checkbox"/>	<input type="checkbox"/>	<input type="checkbox"/>	<input type="checkbox"/>	<input type="checkbox"/>	<input type="checkbox"/>	<input type="checkbox"/>	<input type="checkbox"/>	<input type="checkbox"/>	<input type="checkbox"/>	<input type="checkbox"/>	<input type="checkbox"/>	<input type="checkbox"/>	<input type="checkbox"/>						
23			<input type="checkbox"/>	<input type="checkbox"/>	<input type="checkbox"/>	<input type="checkbox"/>	<input type="checkbox"/>	<input type="checkbox"/>	<input type="checkbox"/>	<input type="checkbox"/>	<input type="checkbox"/>	<input type="checkbox"/>	<input type="checkbox"/>	<input type="checkbox"/>	<input type="checkbox"/>	<input type="checkbox"/>						
22			<input type="checkbox"/>	<input type="checkbox"/>	<input type="checkbox"/>	<input type="checkbox"/>	<input type="checkbox"/>	<input type="checkbox"/>	<input type="checkbox"/>	<input type="checkbox"/>	<input type="checkbox"/>	<input type="checkbox"/>	<input type="checkbox"/>	<input type="checkbox"/>	<input type="checkbox"/>	<input type="checkbox"/>						
21			<input type="checkbox"/>	<input type="checkbox"/>	<input type="checkbox"/>	<input type="checkbox"/>	<input type="checkbox"/>	<input type="checkbox"/>	<input type="checkbox"/>	<input type="checkbox"/>	<input type="checkbox"/>	<input type="checkbox"/>	<input type="checkbox"/>	<input type="checkbox"/>	<input type="checkbox"/>	<input type="checkbox"/>						
20			<input type="checkbox"/>	<input type="checkbox"/>	<input type="checkbox"/>	<input type="checkbox"/>	<input type="checkbox"/>	<input type="checkbox"/>	<input type="checkbox"/>	<input type="checkbox"/>	<input type="checkbox"/>	<input type="checkbox"/>	<input type="checkbox"/>	<input type="checkbox"/>	<input type="checkbox"/>	<input type="checkbox"/>						
19			<input type="checkbox"/>	<input type="checkbox"/>	<input type="checkbox"/>	<input type="checkbox"/>	<input type="checkbox"/>	<input type="checkbox"/>	<input type="checkbox"/>	<input type="checkbox"/>	<input type="checkbox"/>	<input type="checkbox"/>	<input type="checkbox"/>	<input type="checkbox"/>	<input type="checkbox"/>	<input type="checkbox"/>						
18			<input type="checkbox"/>	<input type="checkbox"/>	<input type="checkbox"/>	<input type="checkbox"/>	<input type="checkbox"/>	<input type="checkbox"/>	<input type="checkbox"/>	<input type="checkbox"/>	<input type="checkbox"/>	<input type="checkbox"/>	<input type="checkbox"/>	<input type="checkbox"/>	<input type="checkbox"/>	<input type="checkbox"/>						
17			<input type="checkbox"/>	<input type="checkbox"/>	<input type="checkbox"/>	<input type="checkbox"/>	<input type="checkbox"/>	<input type="checkbox"/>	<input type="checkbox"/>	<input type="checkbox"/>	<input type="checkbox"/>	<input type="checkbox"/>	<input type="checkbox"/>	<input type="checkbox"/>	<input type="checkbox"/>	<input type="checkbox"/>						
16			<input type="checkbox"/>	<input type="checkbox"/>	<input type="checkbox"/>	<input type="checkbox"/>	<input type="checkbox"/>	<input type="checkbox"/>	<input type="checkbox"/>	<input type="checkbox"/>	<input type="checkbox"/>	<input type="checkbox"/>	<input type="checkbox"/>	<input type="checkbox"/>	<input type="checkbox"/>	<input type="checkbox"/>						
15			<input type="checkbox"/>	<input type="checkbox"/>	<input type="checkbox"/>	<input type="checkbox"/>	<input type="checkbox"/>	<input type="checkbox"/>	<input type="checkbox"/>	<input type="checkbox"/>	<input type="checkbox"/>	<input type="checkbox"/>	<input type="checkbox"/>	<input type="checkbox"/>	<input type="checkbox"/>	<input type="checkbox"/>						
14			<input type="checkbox"/>	<input type="checkbox"/>	<input type="checkbox"/>	<input type="checkbox"/>	<input type="checkbox"/>	<input type="checkbox"/>	<input type="checkbox"/>	<input type="checkbox"/>	<input type="checkbox"/>	<input type="checkbox"/>	<input type="checkbox"/>	<input type="checkbox"/>	<input type="checkbox"/>	<input type="checkbox"/>						
13			<input type="checkbox"/>	<input type="checkbox"/>	<input type="checkbox"/>	<input type="checkbox"/>	<input type="checkbox"/>	<input type="checkbox"/>	<input type="checkbox"/>	<input type="checkbox"/>	<input type="checkbox"/>	<input type="checkbox"/>	<input type="checkbox"/>	<input type="checkbox"/>	<input type="checkbox"/>	<input type="checkbox"/>						
12			<input type="checkbox"/>	<input type="checkbox"/>	<input type="checkbox"/>	<input type="checkbox"/>	<input type="checkbox"/>	<input type="checkbox"/>	<input type="checkbox"/>	<input type="checkbox"/>	<input type="checkbox"/>	<input type="checkbox"/>	<input type="checkbox"/>	<input type="checkbox"/>	<input type="checkbox"/>	<input type="checkbox"/>						
11			<input type="checkbox"/>	<input type="checkbox"/>	<input type="checkbox"/>	<input type="checkbox"/>	<input type="checkbox"/>	<input type="checkbox"/>	<input type="checkbox"/>	<input type="checkbox"/>	<input type="checkbox"/>	<input type="checkbox"/>	<input type="checkbox"/>	<input type="checkbox"/>	<input type="checkbox"/>	<input type="checkbox"/>						
10			<input type="checkbox"/>	<input type="checkbox"/>	<input type="checkbox"/>	<input type="checkbox"/>	<input type="checkbox"/>	<input type="checkbox"/>	<input type="checkbox"/>	<input type="checkbox"/>	<input type="checkbox"/>	<input type="checkbox"/>	<input type="checkbox"/>	<input type="checkbox"/>	<input type="checkbox"/>	<input type="checkbox"/>						
9			<input type="checkbox"/>	<input type="checkbox"/>	<input type="checkbox"/>	<input type="checkbox"/>	<input type="checkbox"/>	<input type="checkbox"/>	<input type="checkbox"/>	<input type="checkbox"/>	<input type="checkbox"/>	<input type="checkbox"/>	<input type="checkbox"/>	<input type="checkbox"/>	<input type="checkbox"/>	<input type="checkbox"/>						
8			<input type="checkbox"/>	<input type="checkbox"/>	<input type="checkbox"/>	<input type="checkbox"/>	<input type="checkbox"/>	<input type="checkbox"/>	<input type="checkbox"/>	<input type="checkbox"/>	<input type="checkbox"/>	<input type="checkbox"/>	<input type="checkbox"/>	<input type="checkbox"/>	<input type="checkbox"/>	<input type="checkbox"/>						
7			<input type="checkbox"/>	<input type="checkbox"/>	<input type="checkbox"/>	<input type="checkbox"/>	<input type="checkbox"/>	<input type="checkbox"/>	<input type="checkbox"/>	<input type="checkbox"/>	<input type="checkbox"/>	<input type="checkbox"/>	<input type="checkbox"/>	<input type="checkbox"/>	<input type="checkbox"/>	<input type="checkbox"/>						
6			<input type="checkbox"/>	<input type="checkbox"/>	<input type="checkbox"/>	<input type="checkbox"/>	<input type="checkbox"/>	<input type="checkbox"/>	<input type="checkbox"/>	<input type="checkbox"/>	<input type="checkbox"/>	<input type="checkbox"/>	<input type="checkbox"/>	<input type="checkbox"/>	<input type="checkbox"/>	<input type="checkbox"/>						
5			<input type="checkbox"/>	<input type="checkbox"/>	<input type="checkbox"/>	<input type="checkbox"/>	<input type="checkbox"/>	<input type="checkbox"/>	<input type="checkbox"/>	<input type="checkbox"/>	<input type="checkbox"/>	<input type="checkbox"/>	<input type="checkbox"/>	<input type="checkbox"/>	<input type="checkbox"/>	<input type="checkbox"/>						
4			<input type="checkbox"/>	<input type="checkbox"/>	<input type="checkbox"/>	<input type="checkbox"/>	<input type="checkbox"/>	<input type="checkbox"/>	<input type="checkbox"/>	<input type="checkbox"/>	<input type="checkbox"/>	<input type="checkbox"/>	<input type="checkbox"/>	<input type="checkbox"/>	<input type="checkbox"/>	<input type="checkbox"/>						
3			<input type="checkbox"/>	<input type="checkbox"/>	<input type="checkbox"/>	<input type="checkbox"/>	<input type="checkbox"/>	<input type="checkbox"/>	<input type="checkbox"/>	<input type="checkbox"/>	<input type="checkbox"/>	<input type="checkbox"/>	<input type="checkbox"/>	<input type="checkbox"/>	<input type="checkbox"/>	<input type="checkbox"/>						
2			<input type="checkbox"/>	<input type="checkbox"/>	<input type="checkbox"/>	<input type="checkbox"/>	<input type="checkbox"/>	<input type="checkbox"/>	<input type="checkbox"/>	<input type="checkbox"/>	<input type="checkbox"/>	<input type="checkbox"/>	<input type="checkbox"/>	<input type="checkbox"/>	<input type="checkbox"/>	<input type="checkbox"/>						
1			<input type="checkbox"/>	<input type="checkbox"/>	<input type="checkbox"/>	<input type="checkbox"/>	<input type="checkbox"/>	<input type="checkbox"/>	<input type="checkbox"/>	<input type="checkbox"/>	<input type="checkbox"/>	<input type="checkbox"/>	<input type="checkbox"/>	<input type="checkbox"/>	<input type="checkbox"/>	<input type="checkbox"/>						

Door Jamb Fixtures Type: Qty: Spares: Total:

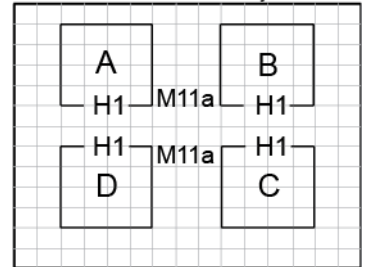
Spares: Totals:

1. Use the grids below to illustrate the layout of the building's elevators and DBD fixtures.
2. Use the fixture letter/numbers from page 4 to indicate the location of the fixtures.
3. Indicate approximate distance from each DID to each elevator.

**Note:** If additional space is needed, please make copies of this form.

### Example

Floor Plan 2: Cars A - D Lobby Level



Floor Plan 1

Floor Plan 2

Floor Plan 3

Floor Plan 4

### What fixtures are available?

The fixtures that we offer include Destination Input Devices (DIDs), Per-Car Hall Fixtures, and In-Car Fixtures.

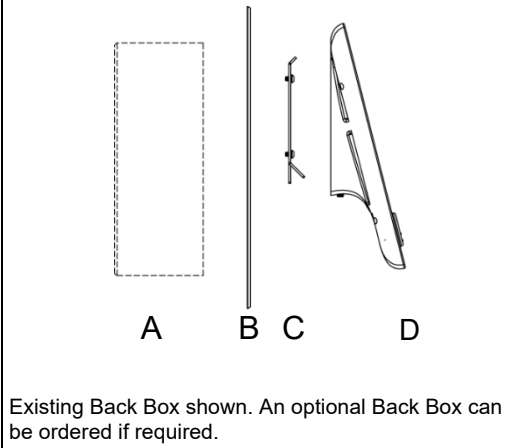
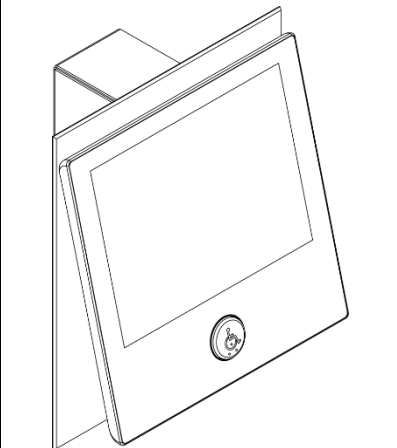
### MCE Destination Input Devices

MCE's destination entry touch screen fixtures are wall or kiosk mounted fixtures. Both the 10" and 7" models use capacitive multi-touch technology, similar to cell phones, with impact resistant glass, for long lasting and durable fixtures. Both models provide a physical, Braille selection switch in compliance with ADA requirements. Screen visual elements – background, control appearance and messaging – may be customized if desired.

#### MCE Destination Input (DID) Fixtures

##### M11a 10" Surface Mount Retrofit, No Card Reader

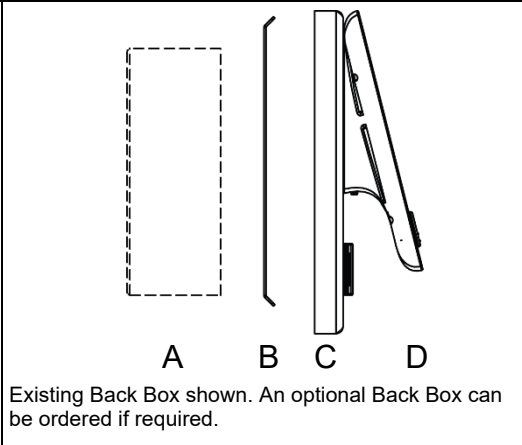
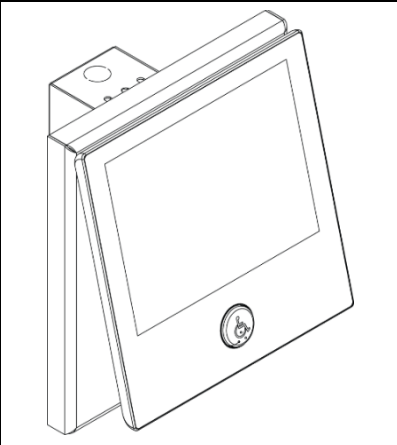
**California Compliant**



- A: Optional Back Box Qty \_\_\_\_\_  
 (3" W x 9 1/4" H x 3 1/2" D)
- B: Wall/Back Plate, (included, 1 per fixture)
- Color / Finish:
- Stainless #4\*
  - Stainless #8
  - Muntz #4
  - Muntz #8
  - Black
  - White
- C: Mounting Bracket (included 1 per fixture)
- D: DID Fixture - Glass & Enclosure:
- Black Qty \_\_\_\_\_
  - White\*\* Qty \_\_\_\_\_

##### M11b 10" Surface Mount Retrofit, With Card Reader (except 5127 Card Reader)

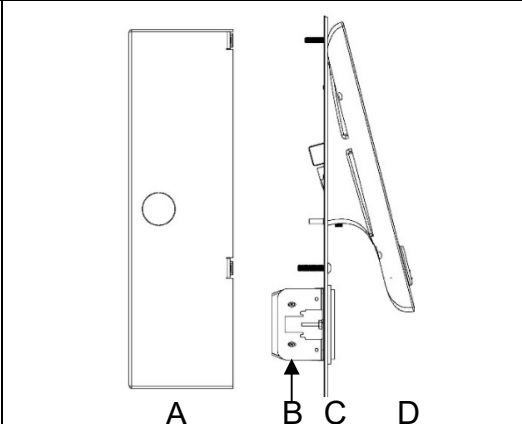
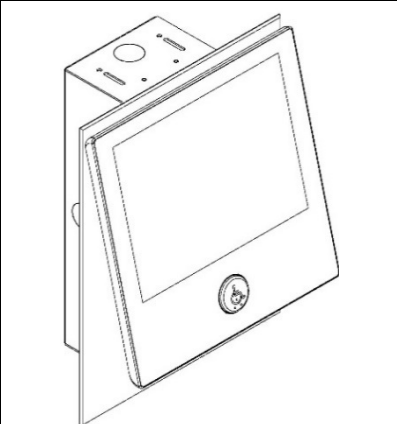
**California Compliant**



- A: Optional Back Box Qty \_\_\_\_\_  
 (3" W x 9 1/4" H x 3 1/2" D)
- B: Mounting Bracket (included, 1 per fixture)
- C: Fixture base<sup>1</sup>
- Color / Finish:
- Stainless #4\*
  - Muntz #4
  - Black
  - White
- <sup>1</sup>Size based on security card reader selected
- D: DID Fixture - Glass & Enclosure
- Black Qty \_\_\_\_\_
  - White\*\* Qty \_\_\_\_\_

##### M11c 10" Surface Mount QR Scanner

**California Compliant**



- A: Back Box (included, 1 per fixture)
- B: QR Scanner (included, 1 per fixture)
- C: Wall/Back Plate Color / Finish:
- Stainless #4\*
  - Stainless #8
  - Muntz #4
  - Muntz #8
  - Black
  - White\*\*
- D: DID Fixture - Glass & Enclosure
- Black Qty \_\_\_\_\_
  - White Qty \_\_\_\_\_

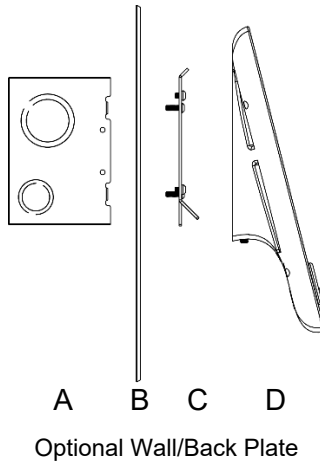
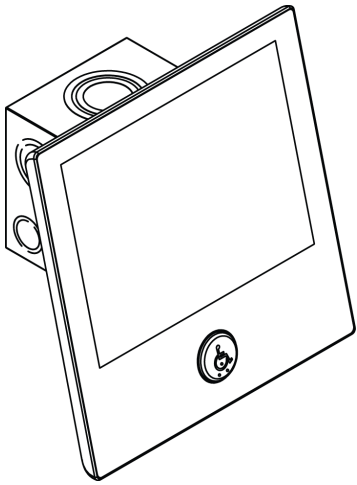
\*Included in base price

\*\*Black ADA button provided for both white and black fixtures

**MCE Destination Input (DID) Fixtures (continued)**

**M12a 10" Surface Mount New Construction, No Card Reader**

**California Compliant**



A: Back Box (included, 1 per fixture)  
(4 11/16" W x 4 11/16" H x 3 1/4" D)

B: Optional Wall/Back Plate Qty \_\_\_\_\_

Color / Finish:

- Stainless #4\*
- Stainless #8
- Muntz #4
- Muntz #8
- Black
- White

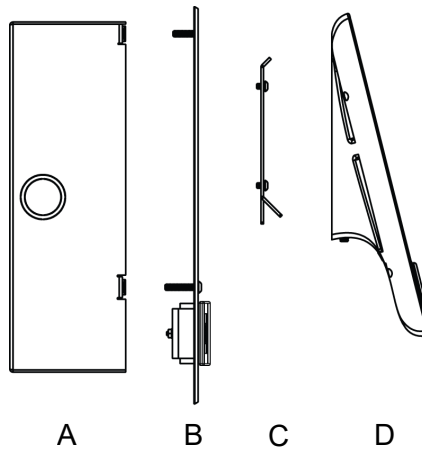
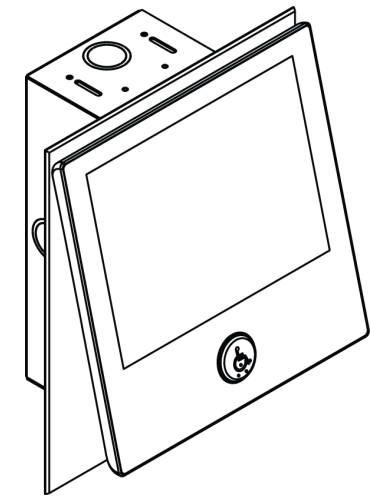
C: Mounting Bracket (included, 1 per fixture)

D: DID Fixture - Glass & Enclosure:

- Black Qty \_\_\_\_\_
- White\*\* Qty \_\_\_\_\_

**M12b 10" Surface Mount New Construction, With Card Reader**

**California Compliant**



A: Back Box (included, 1 per fixture) <sup>1</sup>  
<sup>1</sup>Size based on security card reader selected

B: Wall/Back Plate (included, 1 per fixture)

Wall/Back Plate Color / Finish:

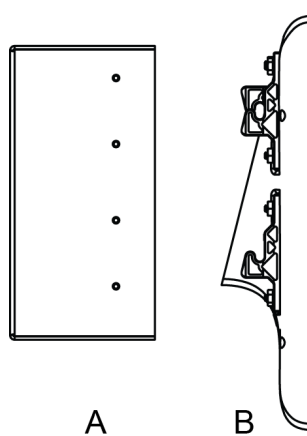
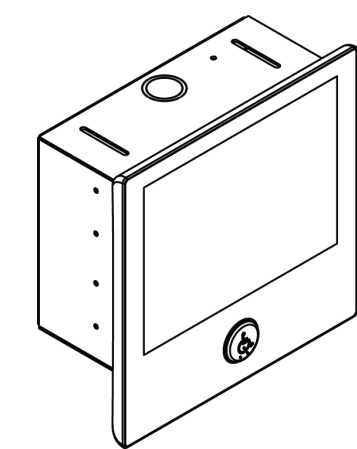
- Stainless #4\*
- Stainless #8
- Muntz #4
- Muntz #8
- Black
- White

C: Mounting Bracket (included, 1 per fixture)

D: DID Fixture - Glass & Enclosure:

- Black Qty \_\_\_\_\_
- White\*\* Qty \_\_\_\_\_

**M13 10" Vertical Mount, No Card Reader**



A: Back Box (included, 1 per fixture)  
(9" W x 7.12" H x 3 1/2" D)

B: DID Fixture - Glass & Enclosure:

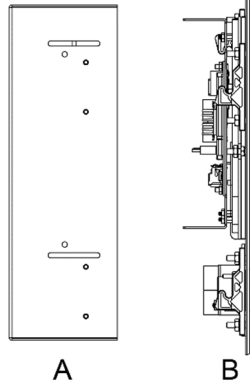
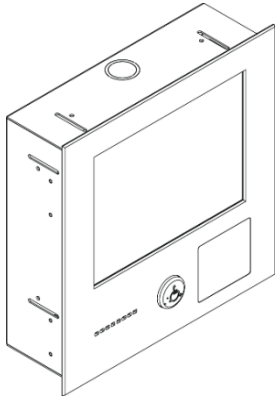
- Black Qty \_\_\_\_\_
- White\*\* Qty \_\_\_\_\_

**Note:** Integrated security card reader not available for this model.

\*Included in base price

\*\*Black ADA button provided for both white and black fixtures

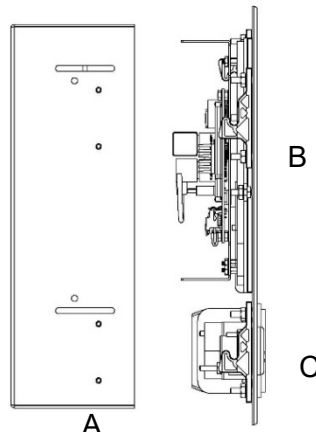
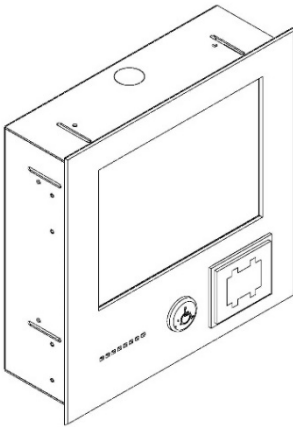


**MCE Destination Input (DID) Fixtures (continued)**
**M14a 10" Applied Mount, Card Reader Optional**

 A: Back Box (included, 1 per fixture)<sup>1</sup>
<sup>1</sup>Size based on security card reader selected

B: 10" Applied Mount Fixture Qty \_\_\_\_\_

Faceplate &amp; ADA Button\*\* Color / Finish:

- Stainless #4\*
- Stainless #8
- Muntz #4
- Muntz #8
- Black
- White\*\*

**M14b 10" Applied Mount QR Scanner**


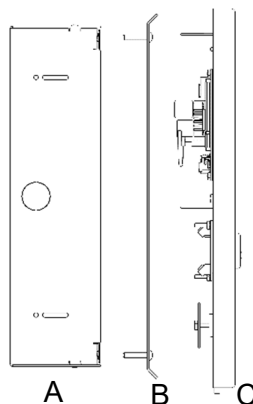
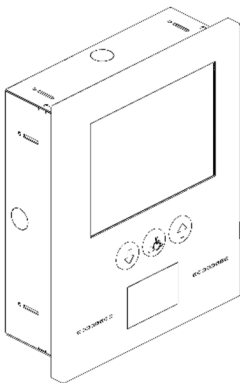
A: Back Box (included, 1 per fixture)

B: 10" Applied Mount Fixture Qty \_\_\_\_\_

Faceplate &amp; ADA Button\*\* Color / Finish:

- Stainless #4\*
- Stainless #8
- Muntz #4
- Muntz #8
- Black
- White\*\*

C: QR Scanner

**M14c 10" Applied Mount with Step Scanner, Card Reader Optional [NYC Building Code, Chapter 11 Compliant]**

 A: Back Box<sup>1</sup> (included, 1 per fixture)

B: Mounting Bracket (included, 1 per fixture)

 C: 10" Applied Mount Fixture<sup>1</sup> Qty \_\_\_\_\_

Fixture &amp; ADA Button\*\* Color / Finish:

- Stainless #4\*
- Muntz #4
- Black<sup>2</sup>
- White<sup>2</sup>

<sup>1</sup>Size based on whether security card reader is selected.

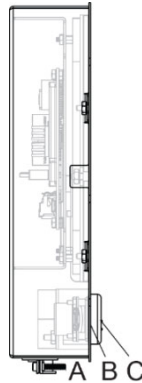
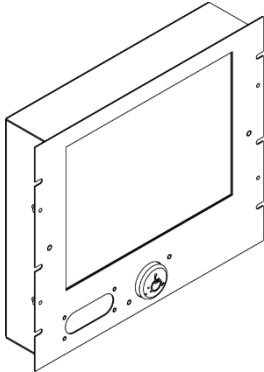
<sup>2</sup>Stainless #4 buttons provided for both white and black fixtures.

\*Included in base price

\*\*Black ADA button provided for both white and black fixtures

**MCE Destination Input (DID) Fixtures (continued)**

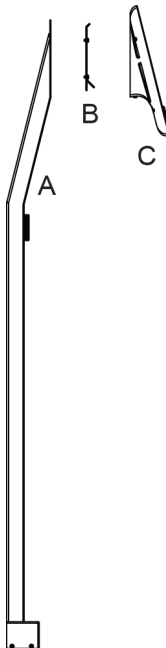
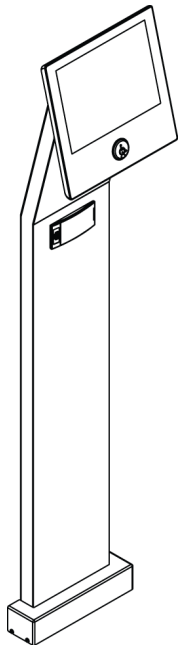
**M15 10" Frameless, No Card Reader**



A: 10" Frameless Fixture Qty \_\_\_\_\_  
 B: Speaker (included, 1 per fixture)  
 C: ADA Button (included, 1 per fixture)  
 Color / Finish:  
 Stainless #4\*  
 Muntz #4  
 Customer supplied Faceplate.  
**Note:** Integrated security card reader not available for this model.

**M16 10" Pedestal, Against the Wall, Card Reader Optional (except 5127 Card Reader)**

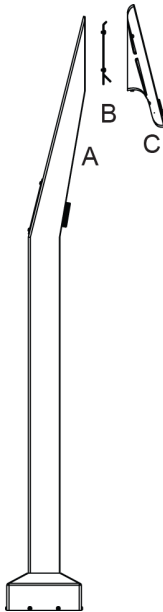
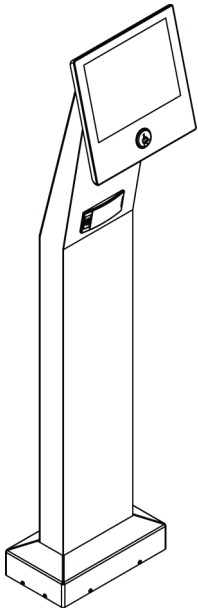
**California Compliant**



A: Pedestal Stand (included, 1 per fixture)  
 (10" W x 47" H x 6-1/4" D)  
 Color/finish:  
 Stainless #4\*  
 Black  
 White  
 B: Mounting Bracket (included, 1 per fixture):  
 C: DID Fixture - Glass & Enclosure:  
 Black Qty \_\_\_\_\_  
 White\*\* Qty \_\_\_\_\_

\*Included in base price

\*\*Black ADA button provided for both white and black fixtures

**MCE Destination Input (DID) Fixtures (continued)**
**M17 10" Pedestal, Standalone, Card Reader Optional (except 5127 Card Reader)**
**California Compliant**


A: Pedestal Stand (included, 1 per fixture)  
(10-1/2" W x 47" H x 9-1/8" D)

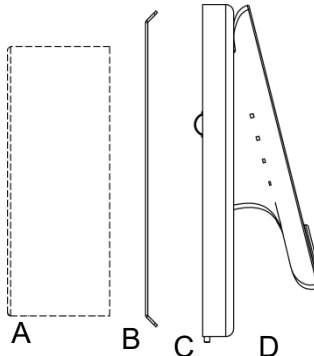
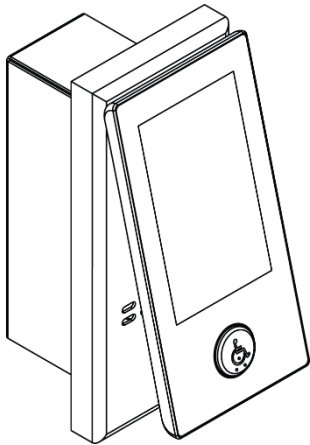
Color/finish:

- Stainless #4\*  
 Black  
 White

B: Mounting Bracket (included, 1 per fixture):

C: DID Fixture - Glass & Enclosure:

- Black Qty \_\_\_\_\_  
 White\*\* Qty \_\_\_\_\_

**M71a 7" Surface Mount Retrofit, Card Reader Optional (except 5127 Card Reader)**
**California Compliant**


Existing Back Box shown. An optional Back Box can be ordered if required.

A: Optional Back Box Qty \_\_\_\_\_  
(3" W x 9 1/4" H x 3 1/2" D)

B: Mounting Bracket (included, 1 per fixture)

C: Fixture Base<sup>1</sup>

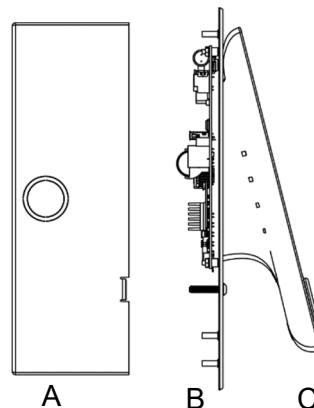
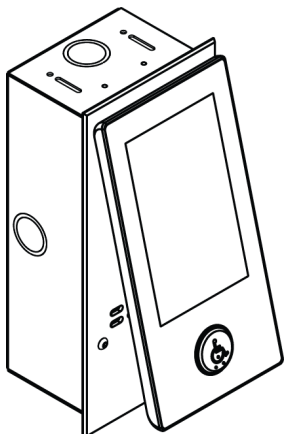
Color / Finish:

- Stainless #4\*  
 Muntz #4  
 Black  
 White

<sup>1</sup>Size based on security card reader selected

D: DID Fixture - Glass & Enclosure:

- Black Qty \_\_\_\_\_  
 White\*\* Qty \_\_\_\_\_

**M71b 7" Surface Mount New Construction, Card Reader Optional**
**California Compliant**


A: Back Box (included, 1 per fixture)<sup>1</sup>

<sup>1</sup>Size based on security card reader selected

B: Wall/Back Plate (included, 1 per fixture):

Color / Finish:

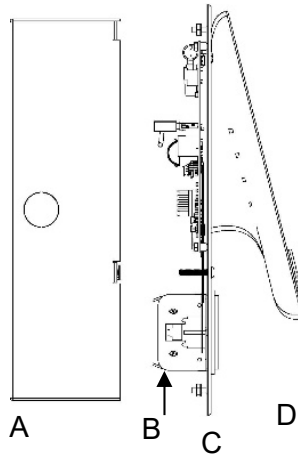
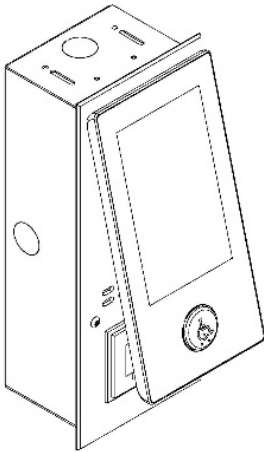
- Stainless #4\*  
 Stainless #8  
 Muntz #4  
 Muntz #8  
 Black  
 White

C: DID Fixture - Glass & Enclosure:

- Black Qty \_\_\_\_\_  
 White\*\* Qty \_\_\_\_\_

\*Included in base price

\*\*Black ADA button provided for both white and black fixtures

**MCE Destination Input (DID) Fixtures (continued)**
**M71c 7" Surface Mount New Construction, QR Scanner**
**California Compliant**


A: Back Box (included, 1 per fixture)

B: QR Scanner

C: Wall/Back Plate Color / Finish:

 Stainless #4\*

 Stainless #8

 Muntz #4

 Muntz #8

 Black

 White\*\*

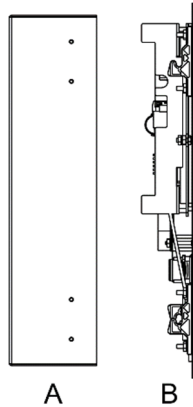
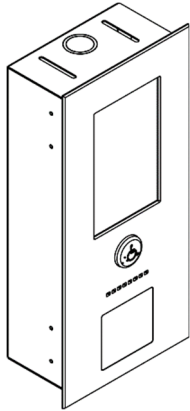
D: DID Fixture - Glass &amp; Enclosure:

 Black

Qty \_\_\_\_\_

 White\*\*

Qty \_\_\_\_\_

**M72a 7" Applied Mount, Card Reader Optional**

 A: Back Box (included, 1 per fixture)<sup>1</sup>

(6.2" W x 12 3/4" H x 3 1/2" D)

<sup>1</sup>Size based on card reader selected.

B: DID Fixture

Qty \_\_\_\_\_

Faceplate &amp; ADA Button\*\* Color / Finish:

 Stainless #4\*

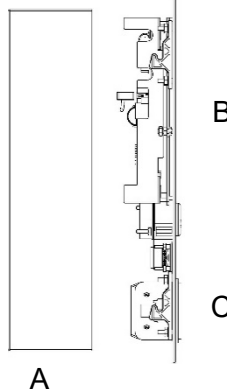
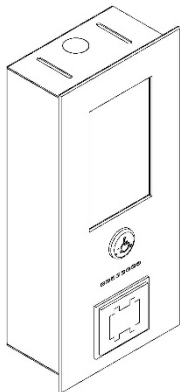
 Stainless #8

 Muntz #4

 Muntz #8

 Black

 White\*\*

**M72b 7" Applied Mount, QR Scanner**


A: Back Box (included, 1 per fixture)

B: 7" Applied Mount Fixture

Qty \_\_\_\_\_

Faceplate &amp; ADA Button\*\* Color / Finish:

 Stainless #4\*

 Stainless #8

 Muntz #4

 Muntz #8

 Black

 White\*\*

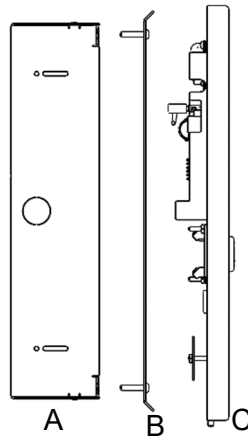
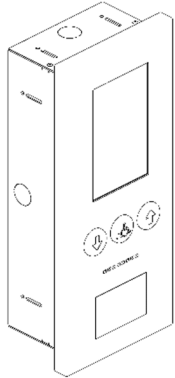
C: QR Scanner

\*Included in base price

\*\*Black ADA button provided for both white and black fixtures

**MCE Destination Input (DID) Fixtures (continued)**

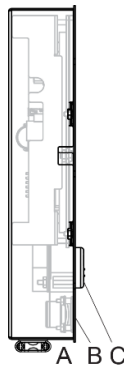
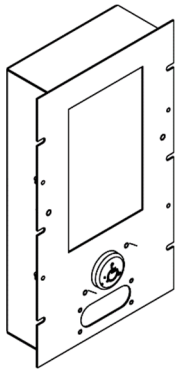
**M72c 7" Applied Mount with Step Scanner, Card Reader Optional [NYC Building Code, Chapter 11 Compliant]**



- A: Back Box (included, 1 per fixture)<sup>1</sup>
  - B: Mounting Bracket (included, 1 per fixture)
  - C: 7" Applied Mount Fixture<sup>1</sup> Qty \_\_\_\_\_
- Fixture & ADA Button\*\* Color / Finish:
- Stainless #4\*
  - Muntz #4
  - Black<sup>2</sup>
  - White<sup>2</sup>

<sup>1</sup>Size based on whether security card reader is selected.  
<sup>2</sup>Stainless #4 buttons provided for both white and black fixtures.

**M73 7" Frameless, No Card Reader**



- A: DID Fixture Qty \_\_\_\_\_
  - B: Speaker (included, 1 per fixture)
  - C: ADA Button (included, 1 per fixture)
- Color / Finish:
- Stainless #4\*
  - Muntz #4

Customer supplied Faceplate.

**Note:** Integrated security card reader not available for this model.

\*Included in base price

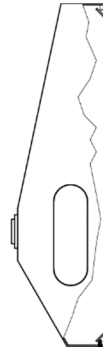
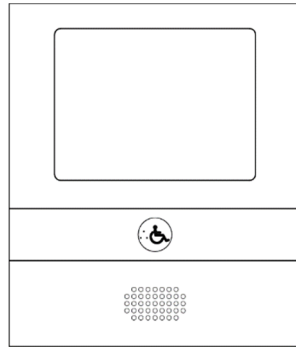
\*\*Black ADA button provided for both white and black fixtures

### CE Destination Input Devices

Two different touch screen sizes and a keypad are available. Display is 256 colors, single language. All can be mounted "Applied" (flat bezel with equipment mounted to the wall) or "Surface Mount" (equipment contained within the fixture metal work).

### CE Destination Input (DID) Fixtures

#### C11 CE 10" Touch Screen, Surface Mount, Card Reader Optional



Qty : \_\_\_\_\_

Mounting Plate (included, 1 per fixture)

Enclosure: 12" W x 14" H x 3 5/8" D

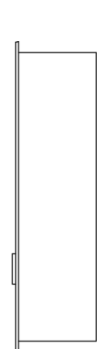
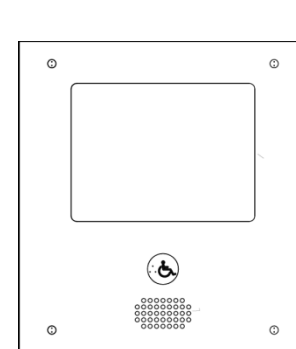
Color / Finish:

- Stainless #4\*
- Muntz #4
- Custom (details required)

Security:

- Fill Plate
- Smoked Plate

#### C12 CE 10" Touch Screen, Applied Mount, Card Reader Optional



Qty : \_\_\_\_\_

Back Box: 12" W x 13" H x 3 1/2" D

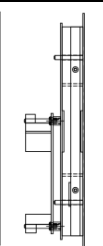
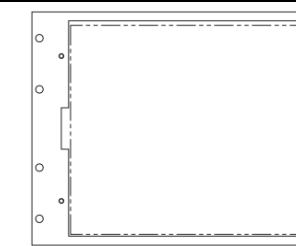
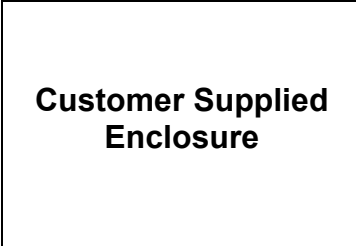
Cutout required: 12 1/4" W x 13 1/4" H

Faceplate: 13" W x 14" H

Color / Finish:

- Stainless #4\*
- Muntz #4
- Custom (details required)

#### C13 CE 10" Frameless



Qty \_\_\_\_\_

**Customer Supplied  
Enclosure**

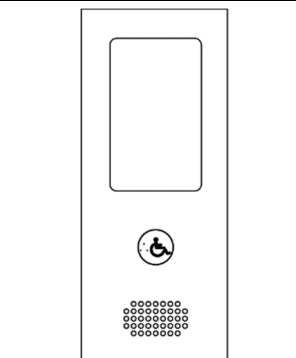
 Speaker

Qty \_\_\_\_\_

 USB programming extension cable

Qty \_\_\_\_\_

#### C71 CE 7" Touch Screen, Surface Mount, Card Reader Optional



Qty : \_\_\_\_\_

Mounting Plate: (included, 1 per fixture)

Enclosure: 5 3/4" W x 14" H x 4" D

Color / Finish:

- Stainless #4\*
- Muntz #4
- Custom (details required)


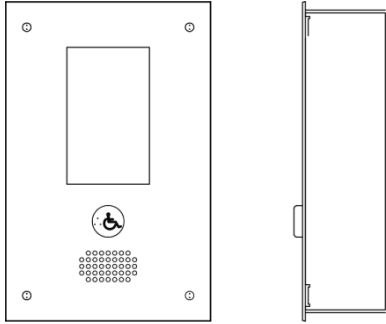
Security:

- Fill Plate
- Smoked Plate

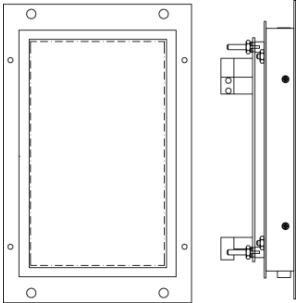
\*Included in base price

### Destination Input Devices

**CE Destination Input (DID) Fixtures (continued)**
**C72 CE 7" Touch Screen, Applied Mount, Card Reader Optional**

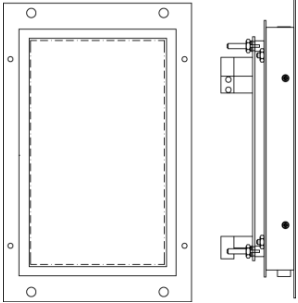
		<p style="text-align: right;">Qty : _____</p> <p>Back Box: 8" W x 13" H x 3 1/2" D                  Cutout required: 8 1/4" W x 13 1/4" H                  Faceplate: 9" W x 14" H                  Color / Finish:</p> <p> <input type="checkbox"/> Stainless #4*  <input type="checkbox"/> Muntz #4  <input type="checkbox"/> Custom (details required)             </p>
---	---	--

**C73 CE 7" Frameless**

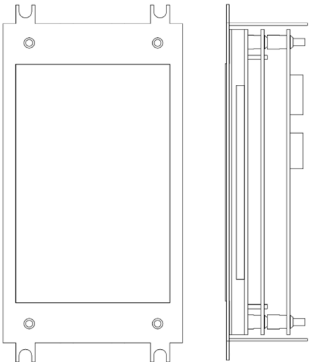
<p><b>Customer Supplied Enclosure</b></p>		<p style="text-align: right;">Qty _____</p> <p> <input type="checkbox"/> Speaker Qty _____  <input type="checkbox"/> USB programming extension cable Qty _____             </p>
---	---	---

\*Included in base price

**Turnstile Fixtures**
**T1 7" Turnstile (Card Reader not included)**


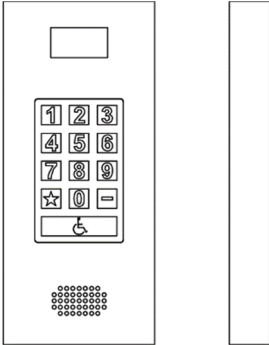
<p><b>Customer Supplied Enclosure</b></p>		<p style="text-align: right;">Qty _____</p> <p> <input type="checkbox"/> Speaker Qty _____  <input type="checkbox"/> USB programming extension cable Qty _____             </p>
---	---	---

**T2 4.3" Turnstile (Card Reader not included)**


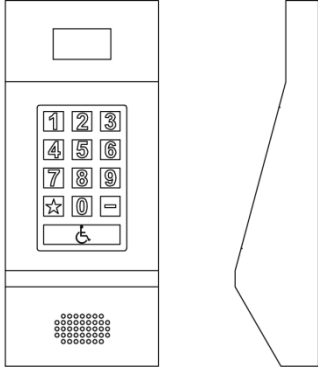
<p><b>Customer Supplied Enclosure</b></p>		<p style="text-align: right;">Qty _____</p> <p> <input type="checkbox"/> Speaker Qty _____  <input type="checkbox"/> USB programming extension cable Qty _____             </p>
---	---	---

**CE Destination Input (DID) Fixtures (continued)**

**K1 CE Keypad, Flat Surface Mount**

		<p style="text-align: right;">Qty _____</p> <p>Mounting Plate: (included, 1 per fixture)</p> <p>Enclosure: 7" W x 16" H x 1 7/8" D</p> <p>Color / Finish:</p> <p><input type="checkbox"/> Stainless #4*</p> <p><input type="checkbox"/> Muntz #4</p> <p><input type="checkbox"/> Custom (details required)</p>
---	---	--

**K2 CE Keypad, Angled Surface Mount**

		<p style="text-align: right;">Qty _____</p> <p>Mounting Plate: (included, 1 per fixture)</p> <p>Enclosure: 7" W x 16.75" H x 4" D</p> <p>Color / Finish:</p> <p><input type="checkbox"/> Stainless #4*</p> <p><input type="checkbox"/> Muntz #4</p> <p><input type="checkbox"/> Custom (details required)</p>
--	--	---

Dimensions are intended for layout approximation only. Construction drawings are provided with equipment. \*Included in base price


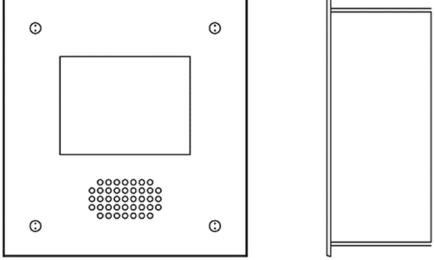


### Per-Car Hall Fixtures

Per-Car Hall Fixtures identify the car, display the floors it is traveling to, and provide an identifying tone or message. We provide four options: a 5.7-inch LCD "combo" fixture with an 8-ohm speaker.

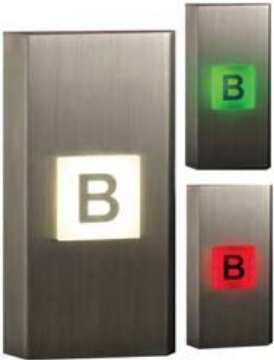
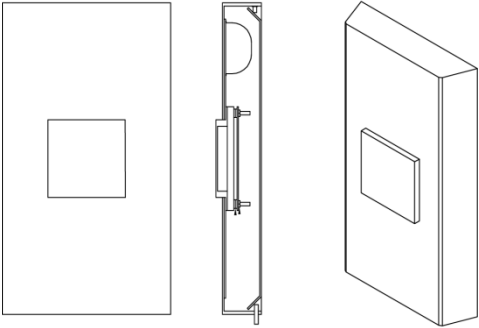
### LCD Destination/Car Annunciator/Messaging/Arrival PI

#### H1 5.7" LCD Destination, Car Annunciator, Messaging, Arrival PI


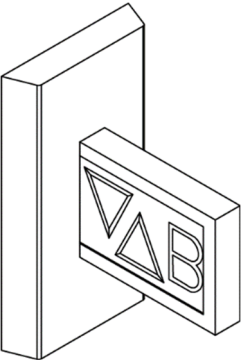
		<p style="text-align: right;">Qty: _____</p> <p>ADA tones &amp; voice messages included. 8-ohm speaker provided. Cutout required. 7 3/4" W x 8 1/4" H Back Box: 7 1/2" W x 8" H x 3 1/2" D Faceplate: 8 1/2" W x 9" H</p> <p>Color / Finish:</p> <p><input type="checkbox"/> Stainless #4*</p> <p><input type="checkbox"/> Muntz #4</p> <p><input type="checkbox"/> Custom (details required)</p> <p><b>Note:</b> Other sizes and options available. See your sales representative.</p>
---	---	---

### Annunciators

#### H2 mBox / mLBox Hall Fixture Surface Mount

		<p>Size: <input type="checkbox"/> mBox <input type="checkbox"/> mLBox Qty: _____</p> <p>Floor gong <input type="checkbox"/> Voice board (option for voice messages)</p> <p>Mounting Plate: (included, 1 per fixture) Fixture: 6 1/2" W x 12" H x 1 1/2" D</p> <p>Orientation:                      Mounting Style:</p> <p><input type="checkbox"/> Vertical                              <input type="checkbox"/> Applied</p> <p><input type="checkbox"/> Horizontal                           <input type="checkbox"/> Surface</p> <p>Color / Finish:</p> <p><input type="checkbox"/> Stainless #4*</p> <p><input type="checkbox"/> Muntz #4</p> <p><input type="checkbox"/> Custom (details required)</p>
---	---	---

#### H3 mFlag Hall Fixture Surface mount

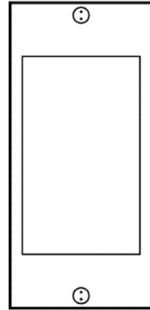
		<p style="text-align: right;">Qty: _____</p> <p><b>Surface mount</b> Includes floor gong <input type="checkbox"/> Voice board</p> <p>Mounting Plate: (included, 1 per fixture) Fixture: 6 1/2" W x 12" H x 8 1/2" D</p> <p>Color / Finish:</p> <p><input type="checkbox"/> Stainless #4*</p> <p><input type="checkbox"/> Muntz #4</p> <p><input type="checkbox"/> Custom (details required)</p>
---	---	---

\*Included in base price

**In-Car Fixtures**

In-Car fixtures include a 4.3-inch LCD destination/arrival display or a vertical destination indicator. The LCD has an 8-ohm speaker output. It is highly recommended to have a pair of one of these fixture types per car along with a single speaker.

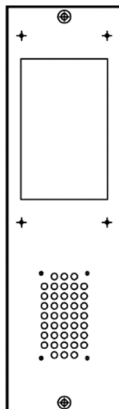
**D1 4.3" LCD Display Applied Mount**



Qty per car: \_\_\_\_\_

- PI indication.
- Passing chime output
- 8-ohm speaker output
- Alternates PI/Destination floor display
- Cutout required: 3.137" W x 6.062" H
- Faceplate: 3 7/8" W x 7 1/2" H
- Color / Finish:
  - Stainless #4\*
  - Muntz #4
  - Custom (details required)

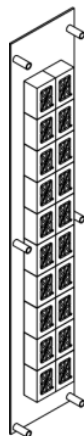
**D2 4.3" LCD Display Applied Mount with Speaker**



Qty per car: \_\_\_\_\_

- PI indication.
- Passing chime output
- 8-ohm speaker output
- Alternates PI/Destination floor display
- Cutout required: 3.137" W x 6.062" H
- Faceplate: 3 7/8" W x 12 1/2" H
- Color / Finish:
  - Stainless #4\*
  - Muntz #4
  - Custom (details required)

**D5 / D6 Door Jamb Vertical Destination Indicator Applied Mount**



Qty per car: \_\_\_\_\_

- Scrolling if display length exceeded
- Trailing dot indicates next floor
- A:  1/2" Display Fixture: 3" W x 10" H\*
- 1" Display Fixture: 3.25" W x 17" H
- Display characters color:
  - Blue  Green  Red
- B: Faceplates for:
  - 1/2" Display Fixture: 2 3/4" W x 10 1/4" H\*
  - 1" Display Fixture: 3 1/4" W x 17" H
- Color / Finish:
  - Stainless #4\*
  - Muntz #4
  - Custom (details required)

A

B

\*Included in base price